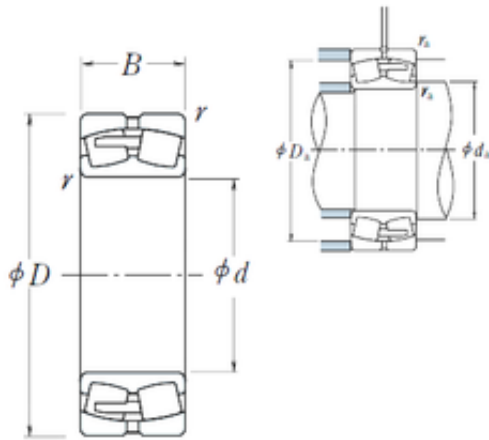




NTN BEARING CORP.

239/850CAE4 NSK Spherical Roller Bearing



Bearing No. 239/850CAE4

Size	850x1120x200 mm
Bore Diameter	850 mm
Outer Diameter	1120 mm
Width	200 mm
d	850 mm
D	1120 mm
B	200 mm
C	200 mm
r min.	6 mm
da min.	878 mm
Da min	1046 mm
Da max.	1092 mm
ra max.	5 mm
Weight	523 Kg
Basic dynamic load rating (C)	6100 kN
Basic static load rating (C0)	15200 kN
(Grease) Lubrication Speed	190 r/min
(Oil) Lubrication Speed	240 r/min
Calculation factor (e)	0,16
Calculation factor (Y0)	4,1
Calculation factor (Y2)	6,2

239/850CAE4 Bearing 2D drawings and 3D CAD models