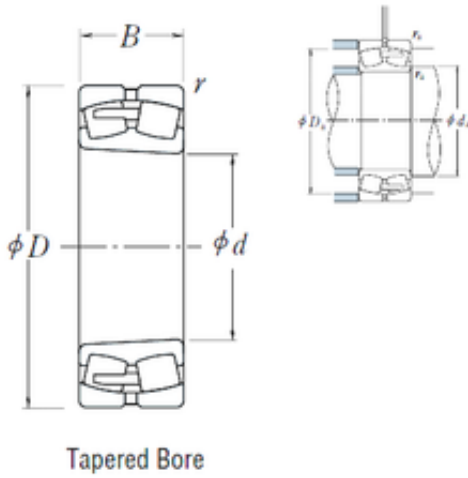




NTN BEARING CORP.



Tapered Bore

24176CAK30E4 NSK Spherical Roller Bearing

Bearing No. 24176CAK30E4

| | |
|-------------------------------|----------------|
| Size | 380x620x243 mm |
| Bore Diameter | 380 mm |
| Outer Diameter | 620 mm |
| Width | 243 mm |
| d | 380 mm |
| D | 620 mm |
| B | 243 mm |
| C | 243 mm |
| r min. | 5 mm |
| da min. | 402 mm |
| Da min | 529 mm |
| Da max. | 598 mm |
| ra max. | 4 mm |
| Weight | 275 Kg |
| Basic dynamic load rating (C) | 4350 kN |
| Basic static load rating (C0) | 8450 kN |
| (Grease) Lubrication Speed | 400 r/min |
| (Oil) Lubrication Speed | 500 r/min |
| Calculation factor (e) | 0,38 |
| Calculation factor (Y0) | 1,7 |
| Calculation factor (Y2) | 2,6 |

24176CAK30E4 Bearing 2D drawings and 3D CAD models